

CHROMA-THERAPY LED CEILING LIGHTING
Great for reading and mood creation

BLUETOOTH SOUND SYSTEM
Integral state-of-the-art sound with heat-resistant speakers. Just pair with your BT-ready device

ALL-GLASS DOOR
Non-claustrophobic feel with a clean, contemporary look

FULL-SIZED CALF EMITTER
For maximum lower extremity exposure to healthy FIR heat energy

CANADIAN HEMLOCK INSIDE & OUT
Responsibly harvested sauna wood sealed with bio-friendly furniture grade finish

SaunaLogic2 CONTROL SYSTEM
Proprietary state-of-the-art control features an optional mobile app to control the sauna from your mobile device from virtually anywhere.

WALL-TO-WALL IR COVERAGE
No hot and cold spots here! Total immersion in the highest output of Low EMR & Low EF FIR heat energy in the industry

COMBINATION DOOR HANDLE
It's a door handle AND a towel bar all in one!

STAINLESS STEEL HEATER
Finnish-made industry-leading heater engineered & patented by Finnish designers

INTEGRAL FLOORING
Water-resistant for easy care & cleaning



Seating for up to 5 people



ETL LISTED FOR SAFETY
Your peace-of-mind where you and loved ones are concerned



SET IT & FORGET IT!
Control your InfraSauna from virtually anywhere with the SaunaLogic2 control and worldwide app!

IS-565 Specifications

Technical

30-amp 240v hard-wired
72-3/4"W x 61-3/4"D x 80"H
Weight (approx.) – 736 lbs

Construction

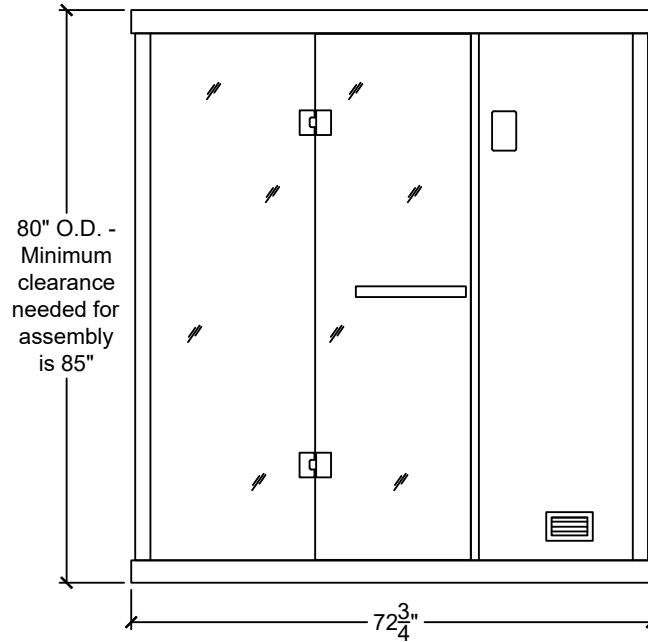
Clear Canadian Hemlock construction
CarbonFlex™ Low EMR/Low EF Heating System
Finnish-built Designer SL2 Heating System

Warranty

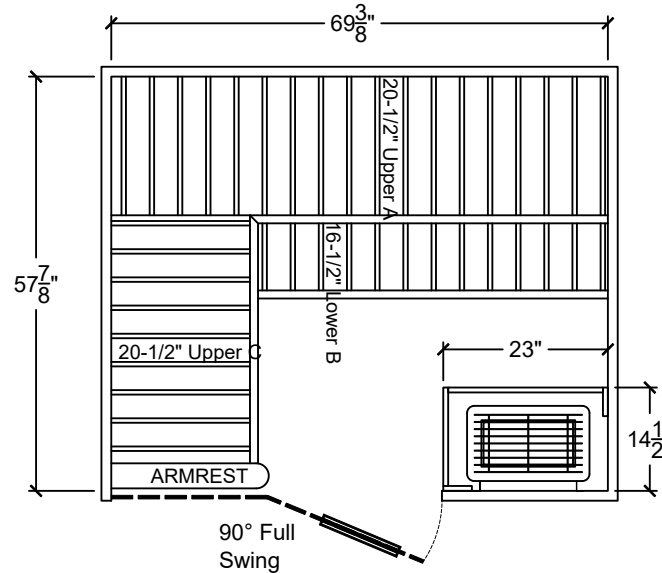
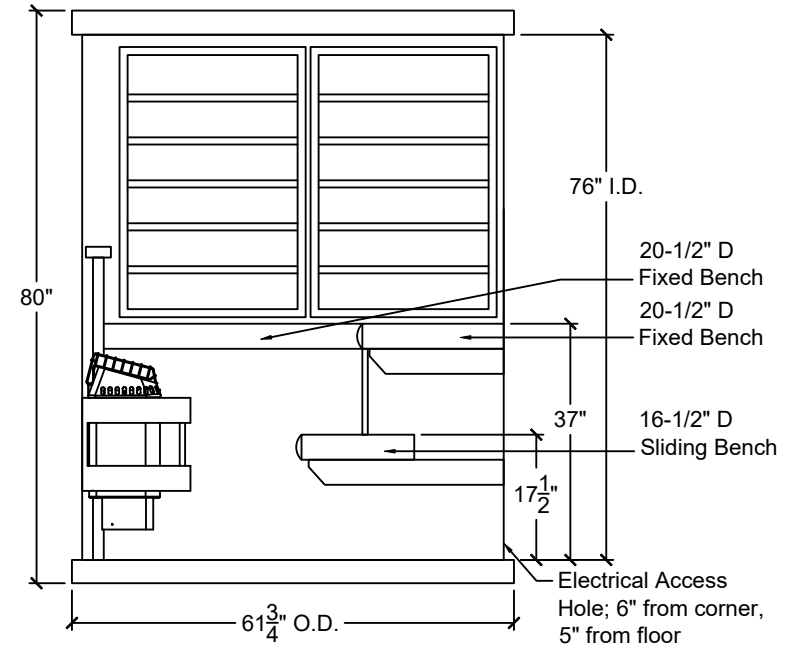
IR Emitters – 5 Years
Wood Cabinet – 5 Years
Controls – 5 Years

Sauna Model:	IS565
Version:	V4
P/N:	9805-084
Heater Model:	Designer 6.0/CarbonFlex IR
Control Type:	SL2-IS-WiFi
Voltage:	240
Phase:	1
Amps:	30
Watts:	7200
Cord Length:	N/A
Ext. Wood:	Canadian Hemlock
Int. Wood:	Canadian Hemlock
Door Type:	All-Glass Bronze Tint
Door Dimensions:	21-3/4" x 73-1/2"
SQ. Footage:	28.1
CU. Footage:	179.1
Lighting Type:	Ceiling Pucks (3)
Largest Panel Size:	72-3/8" x 76"
Drawing Rev. Date:	1-12-2023
Shipping Weight (Approx.):	811 lbs Palletized (in lbs)

EXTERIOR FRONT WALL



INTERIOR LEFT WALL



TOP DOWN VIEW (w/ Interior Measurements)



PHOTOGRAPHIC VIEW

Customer Approval: _____

* SAUNA360 reserves the right to make changes to these measurements from time to time without notice

Freestanding/Panel-Built sauna