

NorthStar 4' x 4'

INDOOR SAUNA

finnleo
PURE SAUNA



Expertly hand-crafted in Minnesota, with imported materials, for reliability and longevity, so you can trust in its durability and performance for years to come.

← Superior free-standing sauna for when space is limited.

The small footprint of the NorthStar 44 creates a compact, yet powerful sauna for

1 person (or 2 people ready to get cozy). Featuring Nordic White Spruce paneling inside and out, bring authentic Finnish sauna home to your master bath, spare bedroom, basement living room, gym, or wherever you have an available 36 square feet.

A. SaunaLogic2 CONTROL SYSTEM

Proprietary feature-rich control with optional mobile app to control the sauna from your mobile device from virtually anywhere.

B. AMBIENT LED LIGHTING

Peaceful in-backrest LED lighting softly illuminates the sauna, with the option to use 6 chromatherapy color light options.

C. POWERHOUSE 2.2/3.0 kW JUNIOR

The reliable, Finnish-made Junior heater is perfectly sized to heat your sauna and power your deep **sweat** rest, relaxation, and healing.

D. BRONZE-TINTED DOOR

The bronze-tinted all-glass door creates contemplative sightlines in and out, creating a feeling of space within the sauna and elegant beauty from outside.

E. AUTHENTIC FINNISH EXPERIENCE

Nordic White Spruce, the traditional wood species of Finland saunas, welcomes you in and envelopes you in natural beauty and fragrance while you sauna.

SPECIFICATIONS



Seats up to 2



Inside only



WiFi



Bluetooth



TECHNICAL

Dimensions:
48" W x 84" H x 48" D

Weight: ~470 lbs.

Electrical:

Wired direct to electrical panel; must be done by a licensed electrician in accordance with the National Electrical Code and local regulations.

CONSTRUCTION

Interior: Nordic White Spruce

Benches/Backrest: Clear Aspen or Abachi

Flooring: Integral Floor with Waterproof Surface Included

Finnish-engineered heating system

"Pin & Hook" wall attachment system

3" side and 5" overhead clearance required for installation

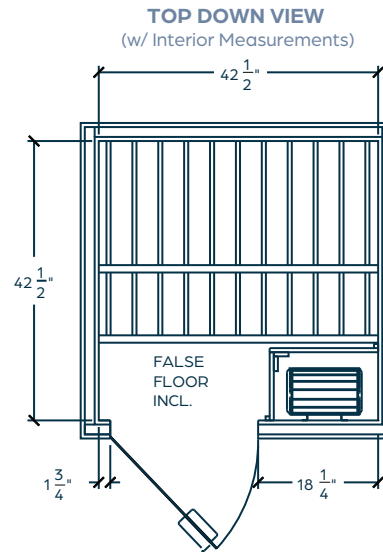
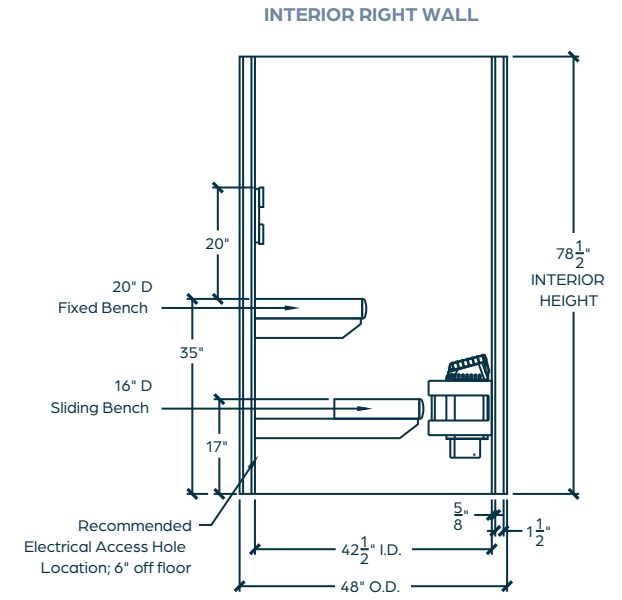
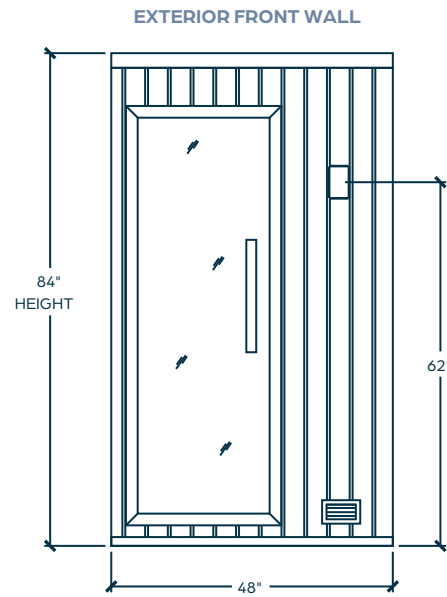
WARRANTY

Electric Heater: 5 years

Wood Cabinet: 5 years

Controls: 5 years





Notes:

Dealer Contact Information:

NorthStar 44 Indoor Sauna

Version V2

Part Number:

9630-2252 (15-amp); 1.7 kW

9630-2254 (20-amp); 2.2 kW

Heater Model: Junior

Control Type: SL2-WiFi

Voltage: 240

Phase: 1

Amps: 15 Watts: 3600

Amps: 20 Watts: 4800

Ext. Wood: Nordic White Spruce

Int. Wood: Nordic White Spruce

Cord Length: N/A

Door Type: All-Glass Bronze Tint

Door Dimensions: 22 1/2" x 67 1/2"

SQ. Footage: 12.5

FREESTANDING SAUNA

CU. Footage: 85

Lighting Type: In-Backrest LED

Largest Panel Size: 45 1/4" x 77 1/4"

Drawing Rev. Date: 12-6-2023

Shipping Weight (Palletized): ~670 lbs.